

CityVu/EdgeVu M-Series Multi-Slide Door (M2055)

Technical Data Sheet

Frame/Sash

- Architectural Grade 6063-T63 Aluminum
- Azon Thermal Break (Mainframe/Sash)
- SolidCore Technology in Sash Frames
- Corner Key Technology
- Removeable Sill
- 4-1/2" Stiles and 3" Rails

Glazing

- Interior Glazing Stop
- Quanex Super Spacer
- 100% Silicone Wet Glaze
- Double Pane Insulated Glass Options
- Annealed, Tempered, Laminated and Obscure Glass Options Available

Weather Stripping

- Bulb Seal Gasket Head and Sill

Configurations

- Standard Slide
- Pocketing
- 90° Corners

Hardware

- Flush Mount Handles
- Multi-Point Lock System
- Stainless Steel Quad Roller System (1.81" Dia. Wheels)

Grid Options

- Grids Between the Glass
- Simulated Divided Lites

Sill Options

- 1-3/8" Interior Sill Height
- Flush Sill
- Staggered Sill Options

Paint

- 2604/2605 FGIA High Performance Powder Coatings
- 30 Standard Colors
- Custom Colors available

CityVu/EdgeVu M-Series Multi-Slide Door (M2055)		
NAFS Rating	R-15	
Design Pressure (P.S.F.)	15	
Air Infiltration at 25 MPH (cfm/ft ²)	0.034	
Water Resistance	4.5	
U-Value (Based on Cardinal 366 Low-E/Argon Fill)	0.38	
SHGC (Based on Cardinal 366 Low-E/Argon Fill)	0.21	
Frame Sizing	Width	Height
Minimum	24"	34"
Maximum	60"	120"

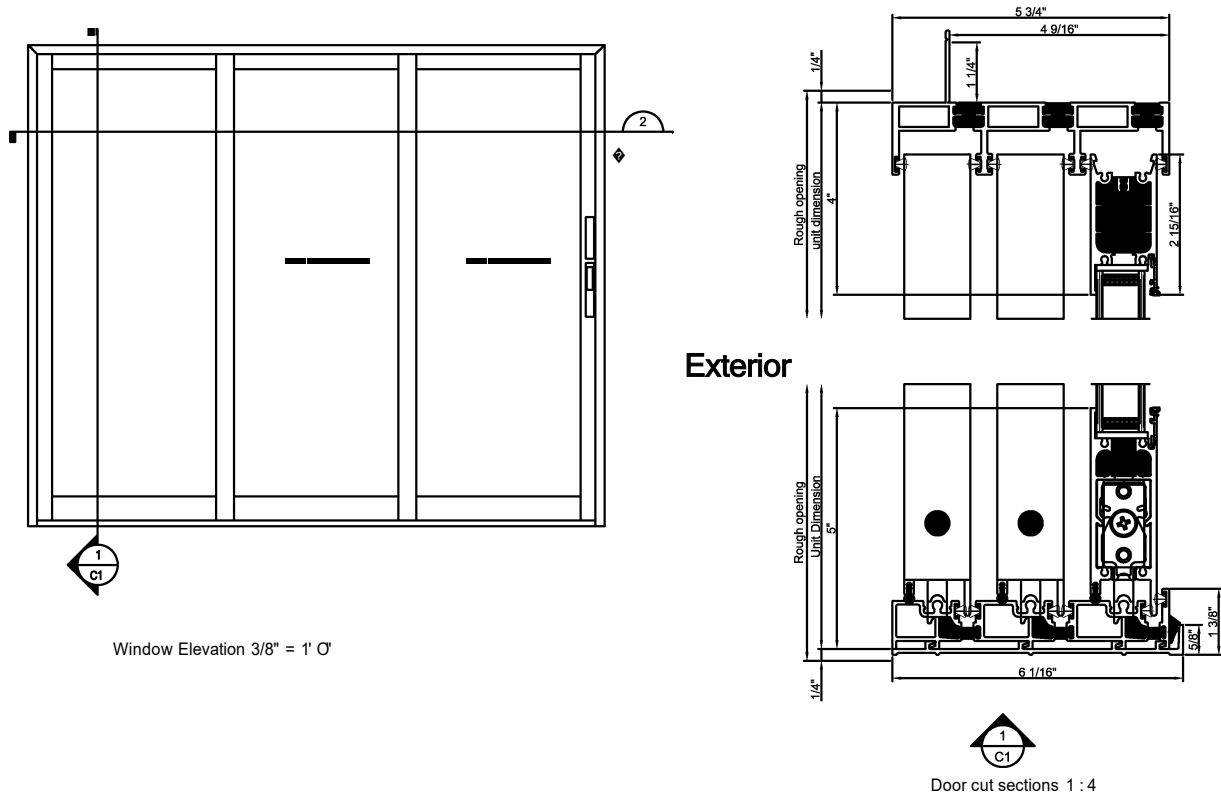
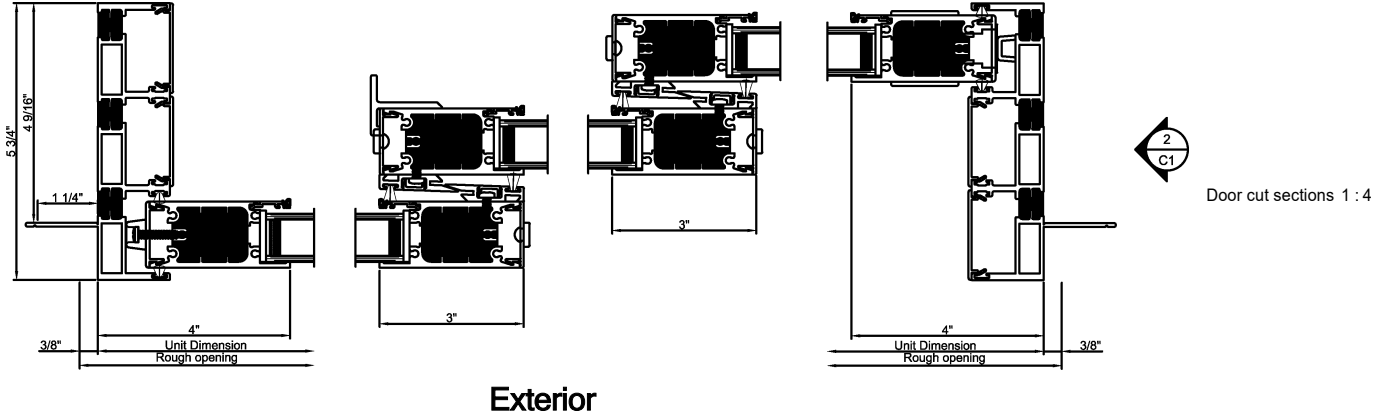


Quaker Window Products
 504 U.S. Hwy 63 South
 Freeburg, MO 65035
 (800) 347-0438
www.quakerresidentialwindows.com

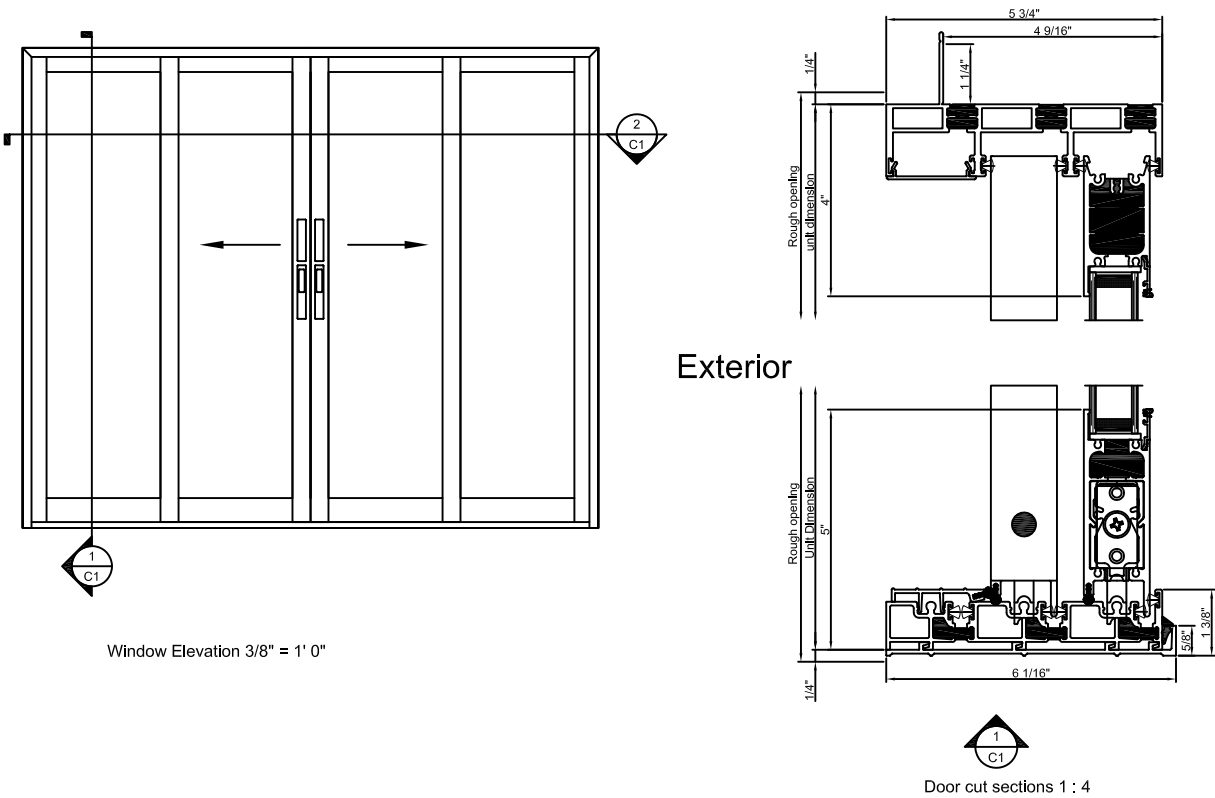
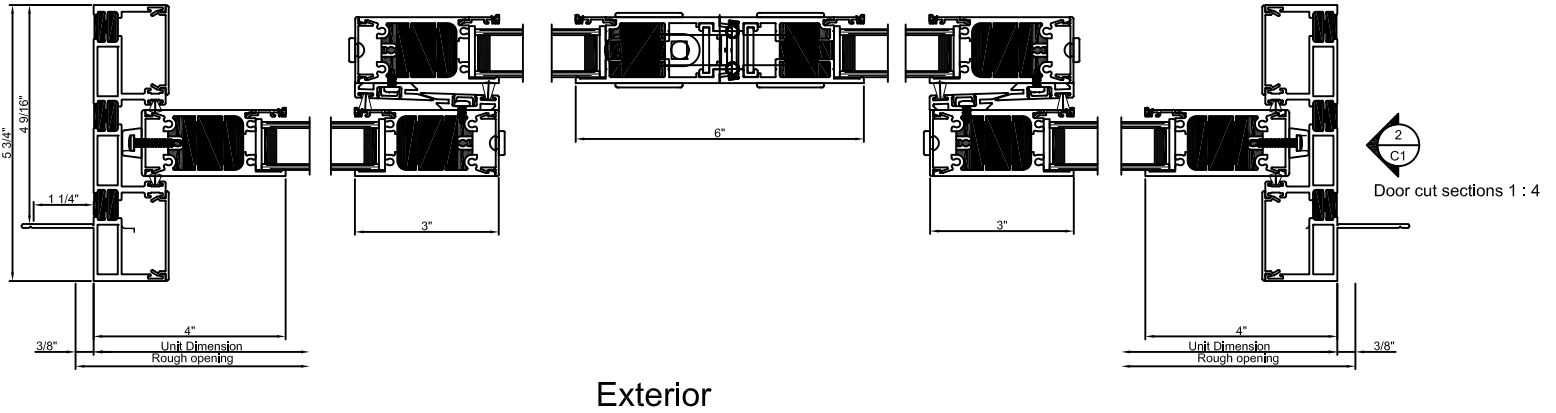
Discover More Here:



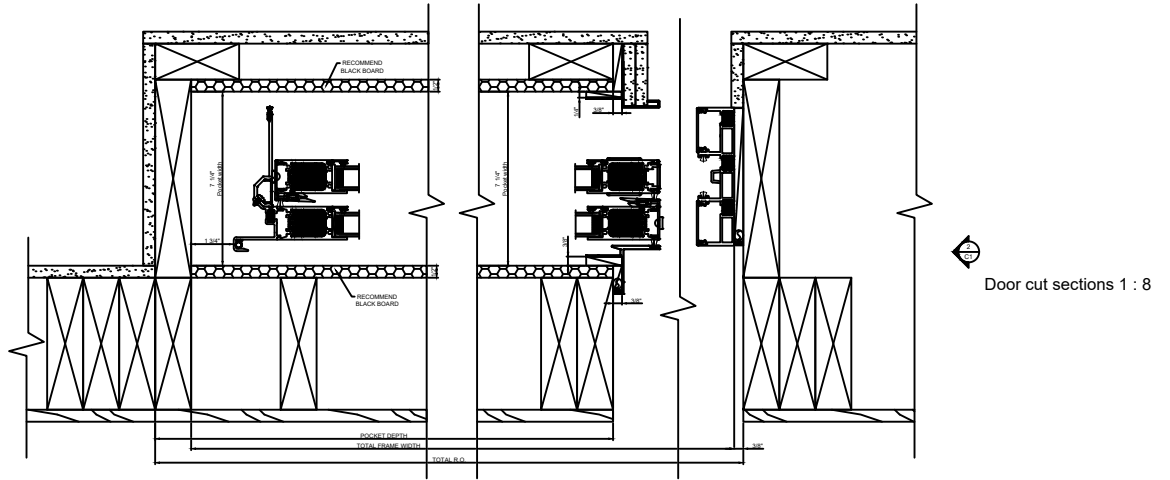
QTZ-CV/EV-M-MLTISLDE-0324



Note: All dimensions are approximate. Quaker reserves the right to change specifications without notice.

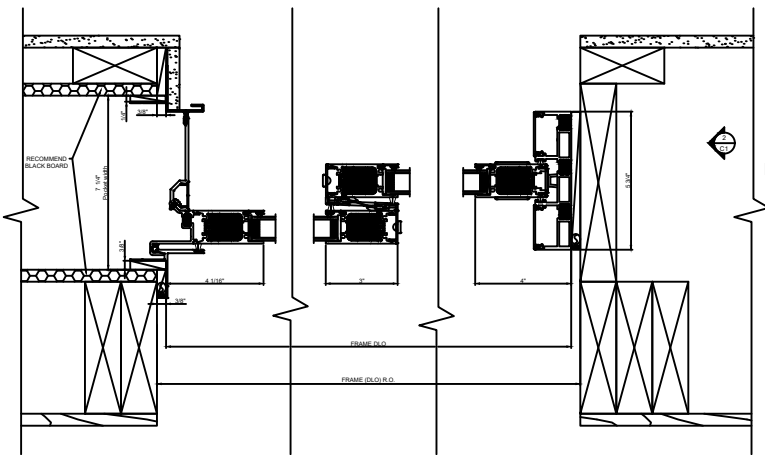


Note: All dimensions are approximate. Quaker reserves the right to change specifications without notice.



OPEN POSITION

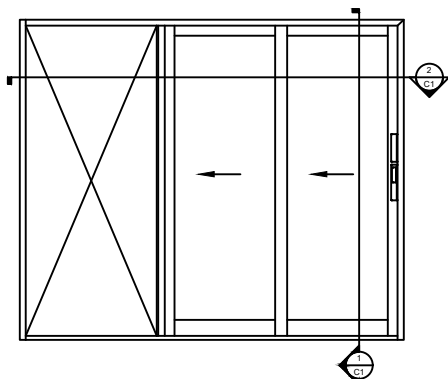
Framing methods may change per building methods



CLOSE POSITION

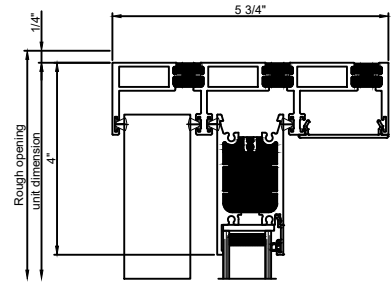
Framing methods may change per building methods

Exterior

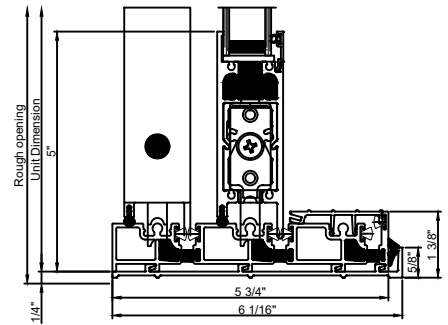


Door Elevation 1/4" = 1' 0"

Door cut sections 1 : 8



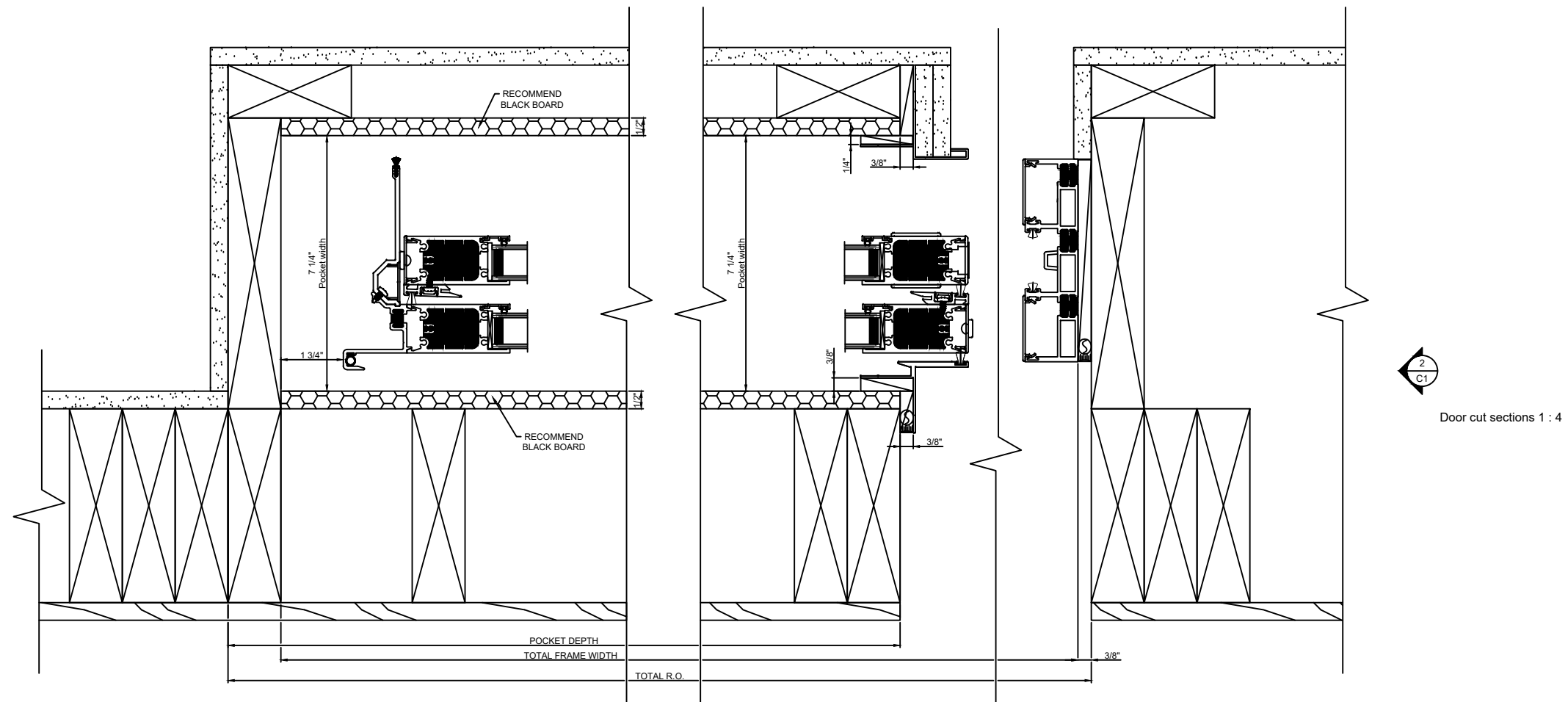
Exterior



1
C1

Door cut sections 1 : 4

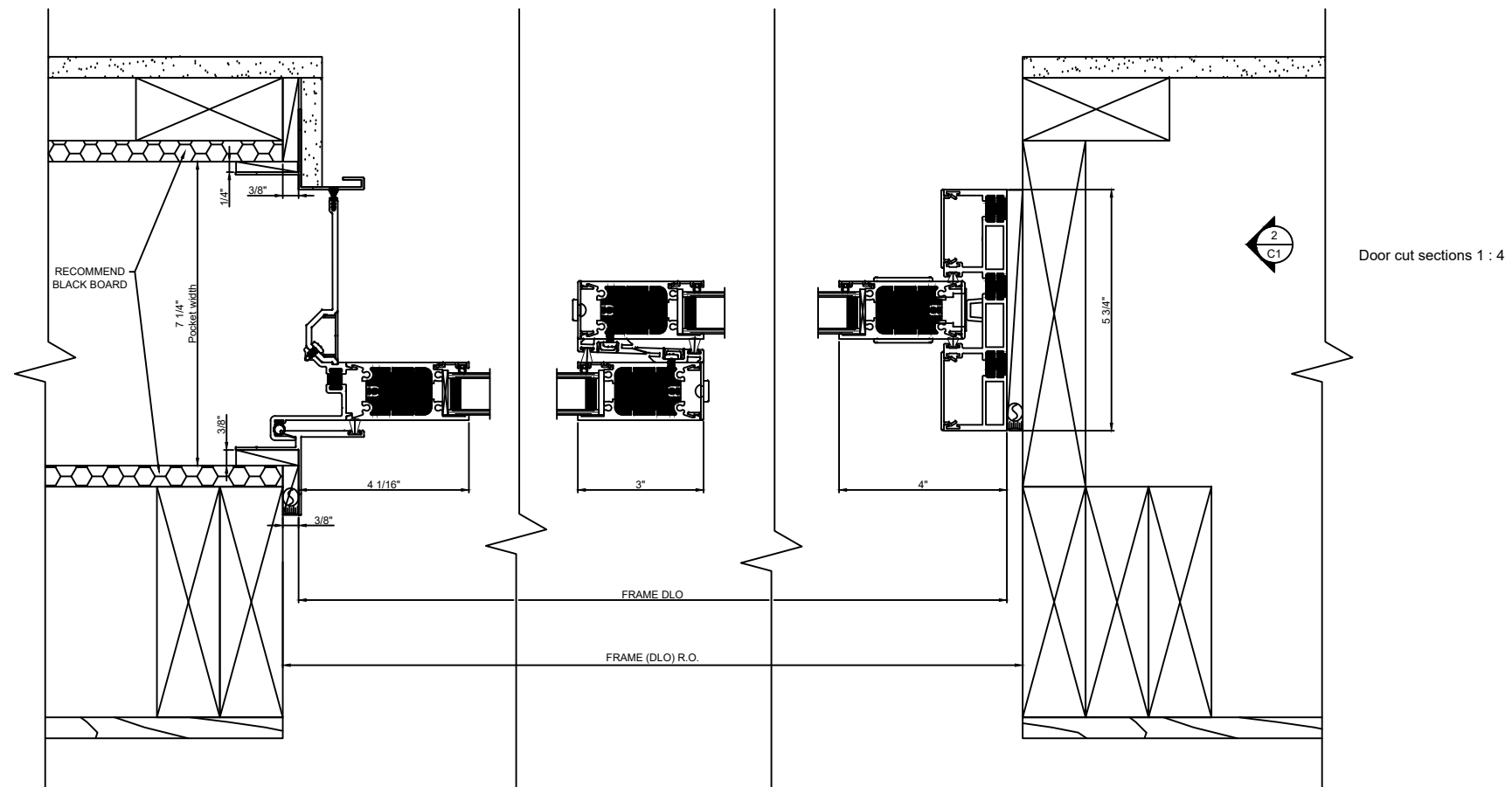
Note: All dimensions are approximate. Quaker reserves the right to change specifications without notice.



OPEN POSITION

Framing methods may change per building methods

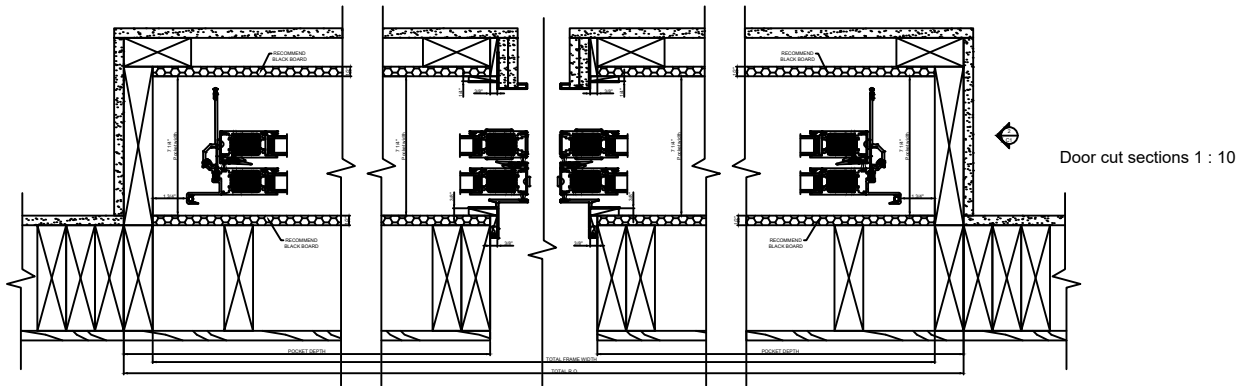
Note: All dimensions are approximate. Quaker reserves the right to change specifications without notice.



CLOSE POSITION

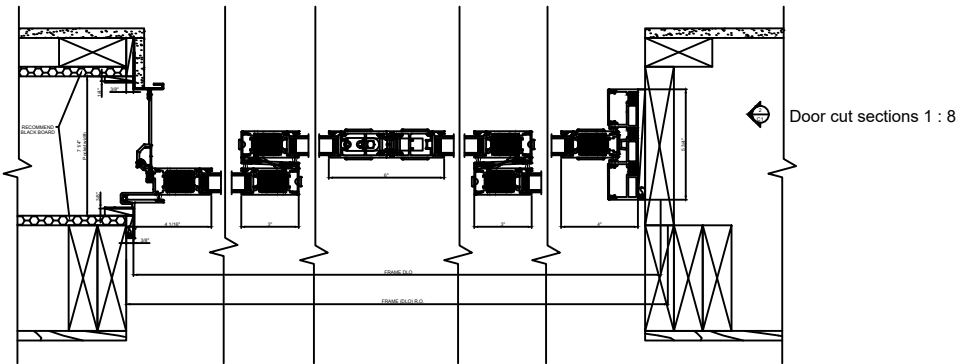
Framing methods may change per building methods

Note: All dimensions are approximate. Quaker reserves the right to change specifications without notice.



OPEN POSITION

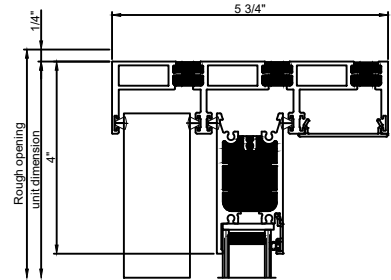
Framing methods may change per building methods



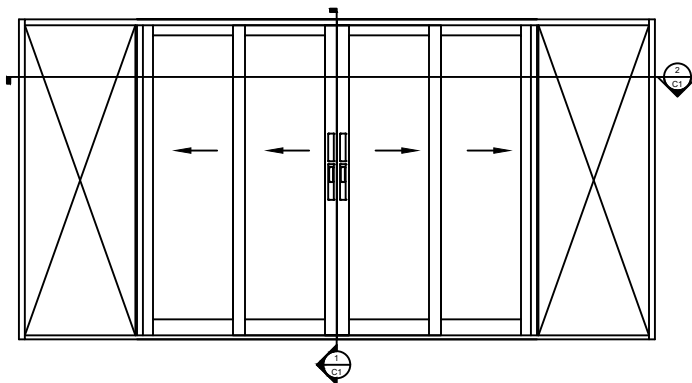
CLOSE POSITION

Framing methods may change per building methods

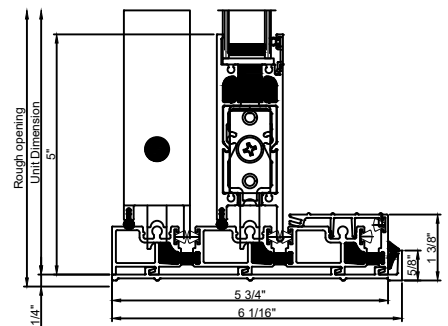
Exterior



Exterior

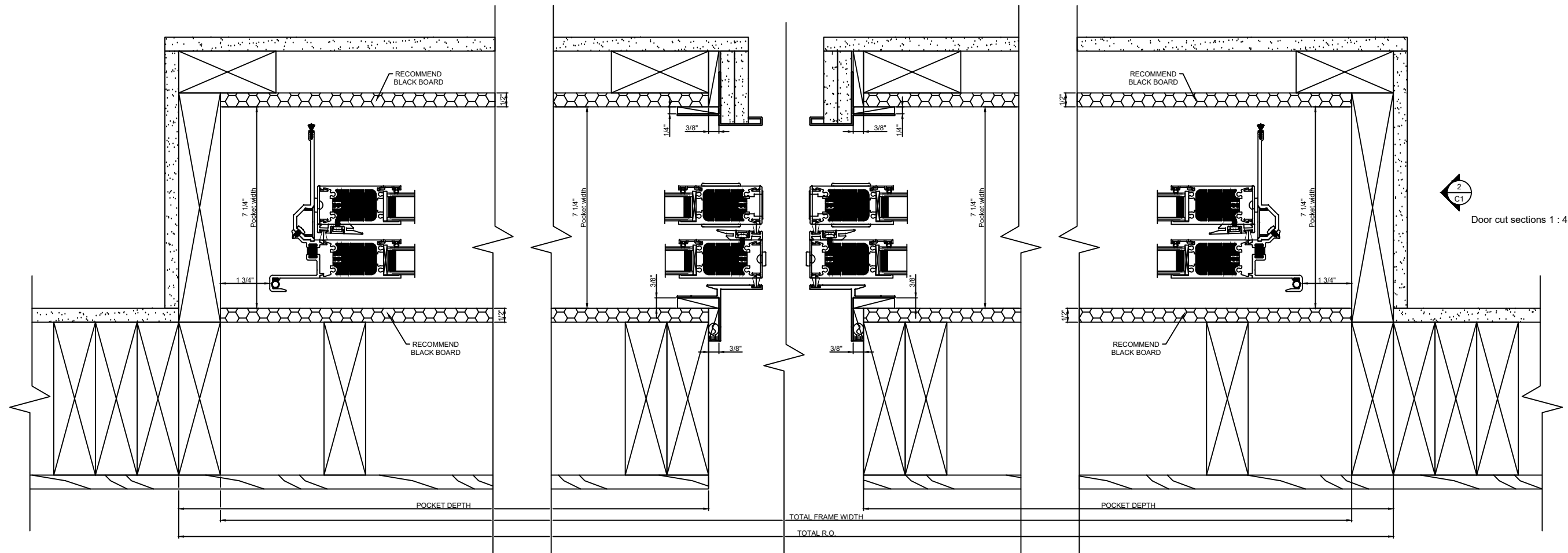


Door Elevation 1/4" = 1' 0"



Door cut sections 1 : 4

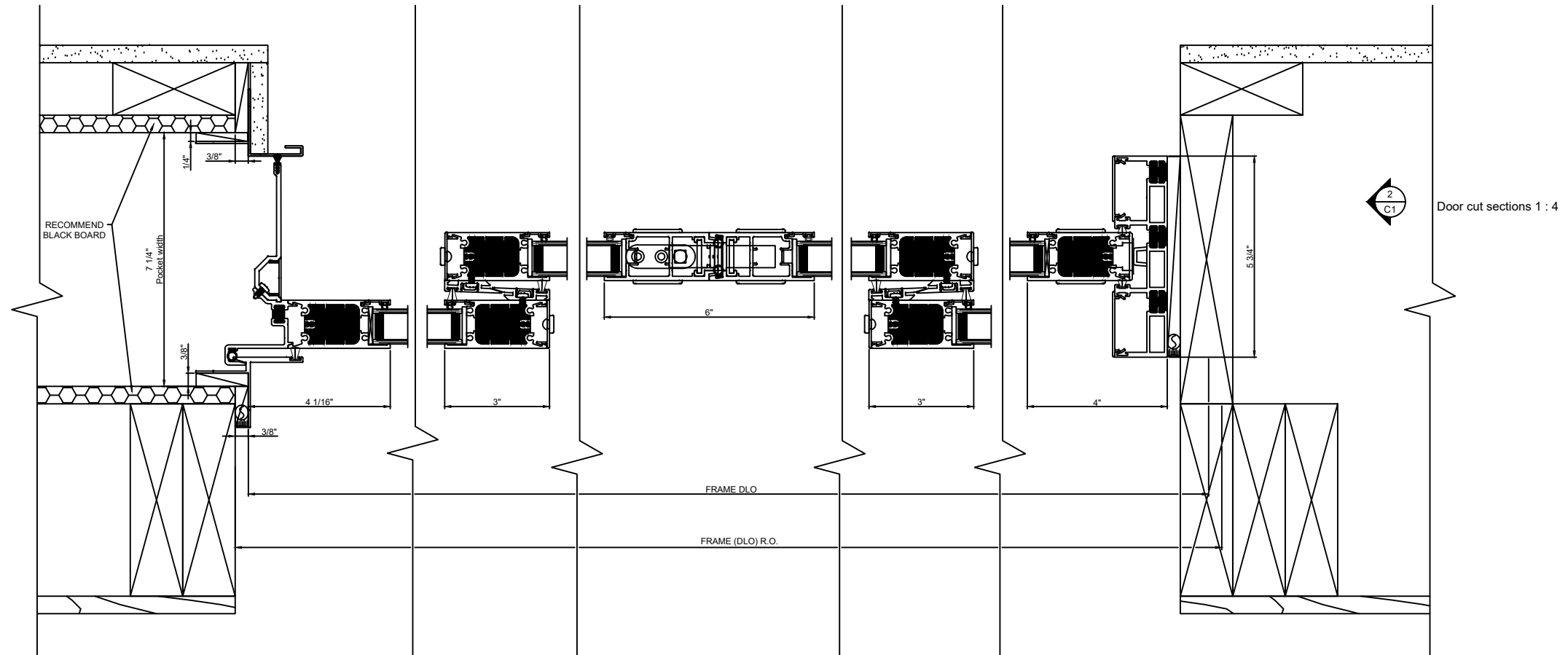
Note: All dimensions are approximate. Quaker reserves the right to change specifications without notice.



OPEN POSITION

Framing methods may change per building methods

Note: All dimensions are approximate. Quaker reserves the right to change specifications without notice.



CLOSE POSITION

Framing methods may change per building methods

Note: All dimensions are approximate. Quaker reserves the right to change specifications without notice.